

**RS-232 to RS-485/RS-422 interfaced converter
Switch Manual**

1. summary

STM8522B is a multifunctional interfaced converter, changing RS-232 to RS-485/RS-422 interface. This product is compatible with the standard of RS-232, RS-485, RS-422. It can change the single-ended signal of RS-232 to the balanced signal of RS-485 or the difference signal of RS-422. RS-232 interface is connected to the serial port of computer by a DB9 socket. RS-485/RS-422 plug is connected to the hexad connection pins on the terminal board through DB9 pinhead. Owing to RS-485's ability of supporting dual-lined semiduplex, (that is to say, RS-485 has only one pair of difference circuitry sending and receiving data), users often make the proper communication protocols to control sending/receiving directions through controlling RTS signals from serial port modem. The inside circuitry of STM-8522B interfaced switch can apperceive the direction of the data stream, and switch the control of sending/receiving automatically. So it can be made into a convenient RS-485 network, and there is no need for software to compile complicated, ever-changing RTS signals to control the direction of sending/receiving. This control is transparent. The former softwares, which are based on RS-232 connection fashion, needn't to be changed in any way. The external power supply of this product has the features of small size, distant transmission, high velocity, stable performance, etc. The adopted RS-232, RS-485/RS-422 interfaces are self-adapted interfaces, so there isn't any need to set up softwares or hardwares. For this feature, they are widely used in work-attendance checking machines, IC card charging systems, industrial automation control systems, card-passing door systems, parking lot systems, automating banking systems, public automobile charging systems, dining hall meal selling systems, high way toll station system, etc.

Standard fittings:

- ① A manual
- ② A RS-232 communication cable, (DB9 plug to DB9 socket)
- ③ A hexad connection platelet
- ④ A +9V power adapter
- ⑤ A RJ-45 plastic plug

2. capability parameters

1. interface features: compatible with RS-232C, RS-485/RS-422 standard of EIA/TIA
2. electric interface: RS-232 interface is the interface of DB9 mode (socket). RS-485/RS-422 interface is the interface of DB9 mode (plug), or RJ-45 connection port.
DB9 plug can be connected to the connection platelet, can be wired conveniently through the hexad connection pins on the platelet.
3. transmission medium: RS-485 is with a twisted-pair (can be with screen, advised impedance of the twisted-pair should be 120Ω). RS-422 is with 2 twisted-pairs (can be with screen, advised impedance of the twisted-pair should be 120Ω)
4. working: RS-422 is asynchronous whole duplex. RS-485 is asynchronous semiduplex
5. signal indication: indicator light TXD, RXD, POWER.
6. protection level: 15000 V surge protection
7. transmission velocity 75~115200bps.
8. transmission distance: 0~1800 metres
9. size: 93mm×23mm×62mm.
10. use environment 0°C~60°C, relative humidity 5%~95%.
11. connecting capability: 32~128 equipments

3. interface definition

1. RS-232 interface definition

DB9 socket	1	2	3	4	5	6	7	8
RS-232 (DCE)	DCD	TXD	RXD	DTR	GND	DSR	RTS	CTS

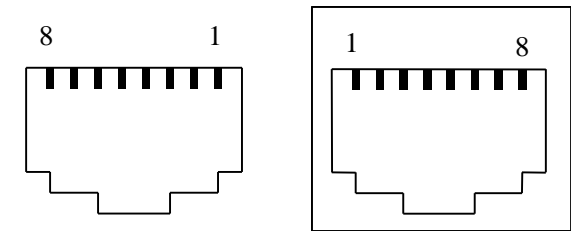
2. RS-485/RS-422 interface definition (the numbers of the connection pins on the connection platelet are the same as DB9 plug):

DB9 plug	1	2	3	4	5	6
422 definition	send minT-	send posT+	receive posR+	receive minR-	GND	—
485 definition	485 min D-/B	485 pos D+/A	—	—	GND	—

3. RJ-45 interface definition:

RJ-45 socket	1	2	3	4	5	6	7	8
422 define	send posT+	send minT-	receive posR+	receive minR-	—	—	N	N
485 define	485 pos D+/A	485 min D-/B	—	—	—	—	N	N
							D	D

Additional: RJ-45 plug definition:



Male RJ-45 plastic plug Female RJ-45 socket

4. usage:

Please read the manual carefully before using. First, install the product firmly, then connect cable DB9 plug (of standard fittings) to the RS-232 port of the product, connect DB9 socket to the RS-232 port of the controlling host computer. RS-485/RS-422 port must be connected to RJ-45 or 6 hole connection port, and then, connect RS-485/RS-422 equipments according to the corresponding interface definition. Lastly, connect the power adapter to the +9V socket, and switch on the power.

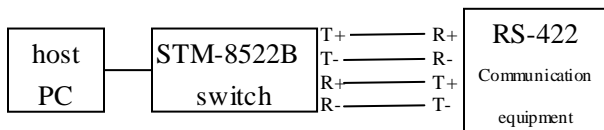
The product support the following communication modes:

- 1 point to point/4 line whole duplex (RS-422 mode)
- 2 point to multi-point/4 line whole duplex (RS-422 mode)
- 3 point to point/2 line semiduplex (RS-485 mode)
- 4 point to multipoint/2 line semiduplex (RS-485 mode)

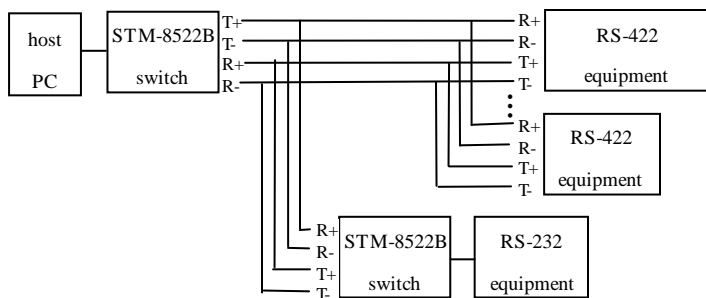
The product is of the state of self-adaptation. When users make the connection according to RS-485, the product is in the state of RS-485 semiduplex. When users make the connection according to RS-422, the product is in the state of RS-422 whole duplex.

(1) **RS-232 to RS-422 connection usage, make it RS-422 mode**

- ① RS-232/RS-422 point to point/4 line asynchronous whole duplex communication. This mode is mainly used on host computers of RS-232 port, and the controlled end equipments are of RS-422 port, because of the different electric features, the 2 ends can't be connected directly without an interface adapter. According to the following chart, when users make the connection:

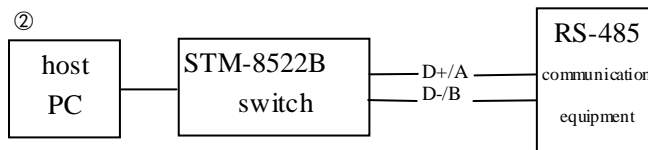


RS-232/RS-422 point to multi-point/4 line 4 line asynchronous whole duplex communication. This mode is mainly used on host computers of RS-232 port, and the controlled end equipments are of RS-422 port, and need to be connected to several RS-422 equipments, (RS-422 from RS-422 SLAVE), from 32 to 128 at most. In order to prevent the reflection and disturbance of signals, users need to install terminal impedance matching resistance at the end of the line (120Ω, 1/4W).



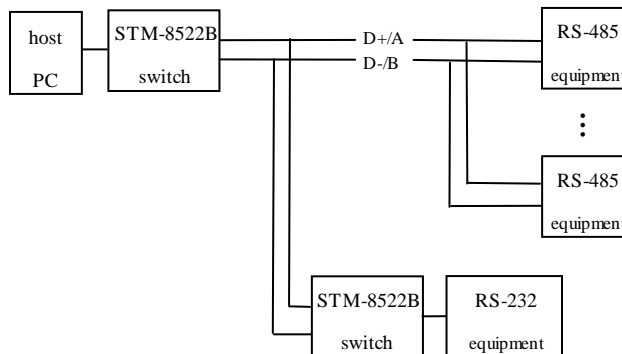
(2) **RS-232 to RS-485 connection usage, make it RS-485 mode**

- ① RS-232/RS-485 point to point/2 line semiduplex communication. This mode is mainly used on host computers of RS-232 port, and the controlled end equipments are of RS-485 port. Because of the different electric features, the 2 ends can't be connected directly without an interface adapter. According to the following chart, when users make the connection:



RS-232/RS-485 point to multi-point/2 line semiduplex communication. This mode is mainly used on host computers of RS-232 port, the controlled end equipments are of RS-485 port, and need to be connected to several RS-485 equipments, (RS-485 from RS-485 SLAVE), from 32 to 128 at most. In order to prevent the reflection and disturbance of signals, users need to install terminal impedance matching resistance at the end of the line (120Ω, 1/4W).

- ③



4. power supply and grounding surge protection

- 1. external power supply: STM-8522B interfaced adapter can be used with the 9V power supply adapter (in standard fittings), and can also be used with DC or other equipments. Power supply voltage is +9V, current is 100mA.
- 2. grounding surge protection: common interfaced switches are without the protection device of large power. Because of instantaneous high tension of circuitry induction on interfaced data cable, circuitry will try to send power to the ground line through the path of minimum resistance, so the interface parts of an apparatus are easily get damaged. Therefore, in order to have the safe, good communication, users should pay attention to make the good grounding of the hull of the equipment.

6. trouble-shooting

1. Unsuccessful data transfer

- ① see if the RS-232 port is correctly linked
- ② see if the RS-485/RS-422 port is correctly linked
- ③ check RS-232 if the voltage is between -5V~12V, when the interface signal (TXD, DTR, RTS) is "1", and if the voltage is between +5V~+12V, when signal is "0"

2. Loss of data and unreadable characters

- ① see if the data velocity of the communication equipments of the 2 ends accord with each other.
- ② matching resistance could be added (120Ω, 1/4W).

3. poor capability of long distance communication

- ① see if the twisted-pair are twisted evenly, if the marked transmission impedance is 120Ω, add twisted-pair of 120Ω impedance with screen when necessary
- ② see if too many equipments are linked to BUS, and if more terminal impedance matching resistances need to be added to the 2 end equipments on BUS (120Ω, 1/4W).
- ③ check if the communication velocity is too high, users should always use communication of low velocity when making long distant communication.